



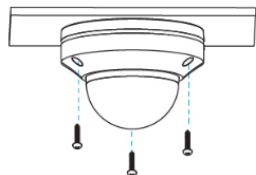
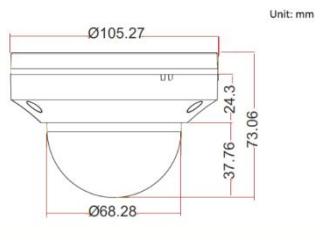
# Mini PTZ(x3) AHD Dome IR CAM

## SUA-20DZX3 (x3 Mini PTZ Camera)

- Mini Vandal Proof Dome(IP66) with built in IR LED(3pcs, 20meters)
- 1/ 2.8" SONY CMOS 2.0 MP (1920x1080) Image Sensor
- 3x Optical Zoom(f2.8-8.0mm)
- Pan: 0~350°(120°/s), Tilt:0~90°(45°/s)
- Preset up to 255
- Coax Control PTZ & UTC(OSD)



### DIMENSIONS



### CAMERA SPECIFICATIONS

MODEL	SUA-20DZX3
Total Pixels	2000( H ) * 1121( V ) approx. 2.24 M pixels
Effective pixels	1984( H ) * 1105( V ) approx. 2.19 M pixels
OSD	Built in / UTC(From DVR)
Scanning System	Progressive scanning
H.Resolution	Approx. 1,280H
Video Out(BNC)	AHD / CVI / TVI / CVBS (4 IN 1 OUTPUT)
S/N Ratio	50dB(AGC Off, Weight ON)
Min.Illumination	Color :0.1Lux @ F1.2(AGC ON) / 0.00Lux @ IR On
White Balance	ATW/ MWB
AE(EXPOSURE MODE)	GLOBE /CENTER/BLC / FLC
WDR	DWDR (OFF / ON)
Day & Night	COLOR/AUTO/BW/EXT
NR	DNR( 1~15 )
Operating temperature/Humidity	-10°C to +50°C/ 30% to 95% RH
LENS	2.8~8.0mm (2 Motor Lens)
Power Consumption	Max. 2A @ DC 12V
Size / Weight	69(Ø) x 105(W) x 73(H) mm / Approx. 450g

## SUA-20BZX4 (x4 Bullet PTZ Camera)

- Bullet PTZ(IP66) with built in IR LED(4PCS, 80 meters)
- 1/ 2.8" SONY CMOS 2.0 MP (1920x1080) Image Sensor
- 4x Optical Zoom(f2.8-12.0mm)
- Pan: 0~260°(Max.12°/s), Tilt:-5~60°
- Preset up to 255
- Coax Control OSD (UTC)
- PTZ Control (RS485,Pelco)



### DIMENSIONS



### CAMERA SPECIFICATIONS

MODEL	SUA-20PTZX3
Total Pixels	2000( H ) * 1121( V ) approx. 2.24 M pixels
Effective pixels	1984( H ) * 1105( V ) approx. 2.19 M pixels
OSD	Built in / UTC(From DVR)
Scanning System	Progressive scanning
H.Resolution	Approx. 1,280H
Video Out(BNC)	AHD / CVBS 960H
S/N Ratio	50dB(AGC Off, Weight ON)
Min.Illumination	Color :0.1Lux @ F1.2(AGC ON) / 0.00Lux @ IR On
White Balance	ATW/ MWB
AE(EXPOSURE MODE)	GLOBE /CENTER/BLC / FLC
WDR	DWDR (OFF / ON)
Day & Night	COLOR/AUTO/BW/EXT
NR	DNR( 1~15 )
Operating temperature/Humidity	-20°C to +50°C/ 30% to 95% RH
Storing Temperature/Humidity	-20°C to +60°C/ 20% to 90% RH
LENS	2.8~12.0mm(2 Motor Lens)
Power Consumption	Max. 2A @ DC 12V
Size / Weight	153(H) x 93(Ø) x 145(L) mm / Approx. 920g

# 1080P AHD Mini PTZ Camera [indoor]



## FEATURES

- 10x Auto Focus Optical Zoom (32x Digital Zoom)
- 1/2.86" 2.4M Panasonic CMOS Sensor
- High Definition Resolution - 1920 x 1080p @ 30fps
- AHD , CVBS Video Output
- Mechanical IR Cut Filter for True Day & Night
- Preset/Tour/Scan/Pattern function
- Motion Detection
- Easy Control by Keyboard (OSD)
- Turbo Speed (Max 400°/sec) & Smooth Manual Speed
- Operation Temperature : 0°C ~ 50°C(-58°F ~ 122°F)
- CE, FCC, RoHS, KC Compliance
- 1080P / 720P Dual AHD Video outputs

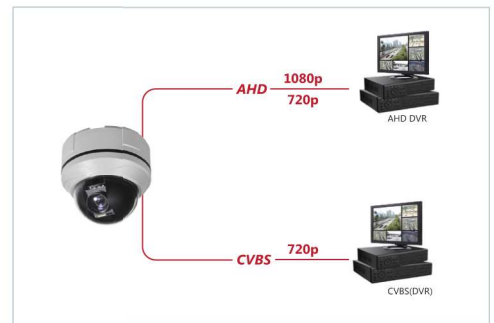
EMP-AHD2010

AHD 10X 2 Mega 1080P

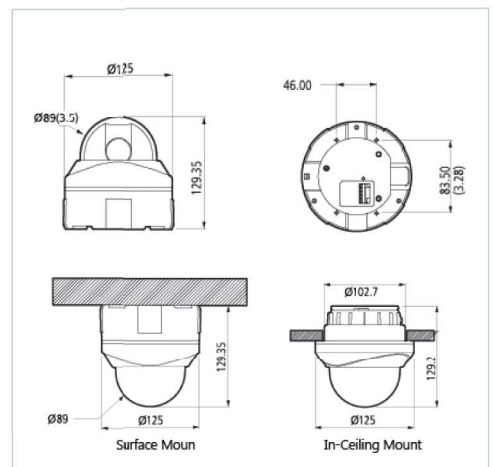
## SPECIFICATIONS

CAMERA	Image Sensor	1/2.86" 2.4M Panasonic CMOS Sensor
	Picture Elements	1,956(H) X 1,260(V) , 2.4M pixels
	Lens	x10 Optical Auto Focus Zoom (32x Digital Zoom)
	Focal Length	f= 5.1 (F1.6) to f= 51mm (F1.8)
	Focus Position	0.1 ~ 10.0 m
	Angle of View	Horizontal: 54°(Wide) ~ 4.9°(Tele)
	Minimum Illumination	Color : 0.5 lux, BW : 0.1 lux / Color DDS : 0.002 lux, BW DSS : 0.001 lux
	Gain Control (AGC)	OFF / ON
	Shutter Control	1/30 (25) ~ 1/60,000 sec
	White Balance	Auto / One push / Manual / Indoor / Outdoor
	Digital Slow Shutter (DSS)	Off / Max x2~ x4
	Day & Night	Auto / Day / Night
	WDR / BLC	Off / WDR / BLC
	VIDEO	Video Output
Resolution		1920 x 1080p / 30fps, 25fps 1280 x 720p / 60fps, 50 fps
DOME	Pan/Tilt Angle	PAN : 360° (Endless) / TILT : -2° ~ 92°
	Pan Speed	Manual: 0.1° ~ 400°/sec(Zoom Proportional)
	Tilt Speed	0.1°/sec ~ 90°/sec
	Preset Speed	Max. 400°/sec
	Preset Position	256 Positions
	Tour	8 Groups(Max 30 Entries for each Group)
	Scan	8 Scans
	Pattern	8 Patterns(Approx. 2 Minutes for each Pattern)
	Flip	Auto Flip(On/Off)
	Communication	RS485(2400, 4800, 9600bps(Default), 38400)
	Camera ID	255
Remote control	AHD Output	1920 x 1080p / 1280 x 720p Dual AHD Video outputs
	OSD	On/Off
	CVBS Output	720 x 480
Alarm	Port	RS-485 for PTZ Control
	Protocol	Bandi (STD), Pelco-D, Pelco-P
Physical	Alarm Input	4 Alarm Inputs
	Alarm Output	1-Relay Out(N.O)
	Dimensions	Ø125 x 129.4mm (3.5" Bubble)
	Certifications	CE, FCC, RoHS, KC
	Weight	Approx. 780g
	Color	Ivory
	Power Source	AC24V 2A (DC12V 2A)
Physical	Fan	OSD Control (Auto/ On/Off mode)
	Operating Humidity	Up to 90% RH
	Storage Temperature	-20°C ~ 50°C(-4°F ~ 140°F)
	Operating Temperature	0°C ~ 50°C(32°F ~ 122°F)

## HYBRID VIDEO OUTPUT



## DIMENSIONS



## OPTIONAL BRACKET



# 1080P AHD PTZ Camera [outdoor]



## FEATURES

- 20x Optical Zoom (12x Digital Zoom)
- 1/2.8 2M Progressive CMOS Image Sensor
- High Definition Resolution - 1920 x 1080p @ 30fps
- Raw Data Transmission Up to 200m
- AHD, CVBS Video Output
- Mechanical IR Cut Filter for True Day & Night
- WDR(Wide Dynamic Range), DNR(Digital Noise Reduction)
- Preset/Tour/Scan/Pattern function
- Motion Detection
- Easy Control by Keyboard (OSD)
- Turbo Speed (Max 360°/sec) & Smooth Manual Speed
- IP 67 (Waterproof)
- Operation Temperature : -50°C ~ 50°C(-58°F ~ 122°F)
- CE, FCC, RoHS, KC Compliance
- 1080P / 720P Dual AHD Video outputs

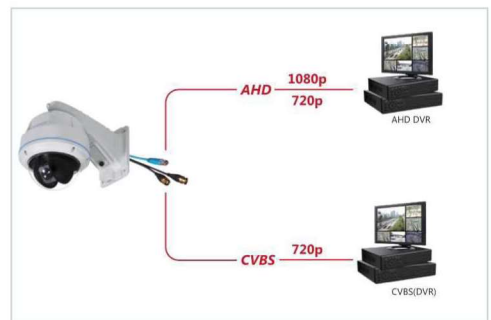
EPP-AHD2020

**AHD** **20X** **2 Mega** **IP67** **1080P**

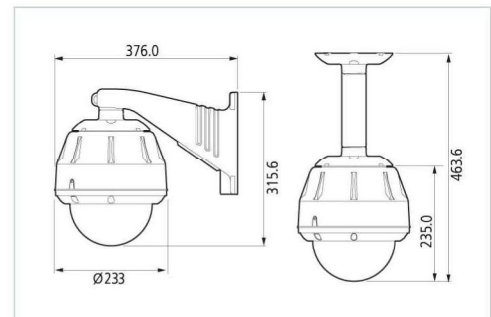
## SPECIFICATIONS

CAMERA	Image Sensor	1/2.8 2M "Exmor" CMOS Image Sensor												
	Picture Elements	2,140K Pixels												
	Zoom	20x Optical Zoom (12x Digital Zoom)												
	Focal Length	F1.6 ~ F3.5, f=4.7mm ~94.0mm												
	Focus Position	10mm(Wide) ~ 1000mm(Tele)												
	Angle of View	Horizontal: 59.5°(Wide end) ~ 3.3°(Tele end)												
	Minimum Illumination	0.001 lux (ICR ON 1/4 sec, 30% High Sensitivity Mode ON)												
	S/N Ratio	50 dB												
	AE Mode	Auto / Manual / Shutter Priority / Iris Priority												
	Gain Control	0dB~ + 47.8dB (16 levels)												
	Shutter Control	1/1 sec to 1/10000 (22 levels)												
	White Balance	Auto/ATW/Indoor/Outdoor/One push /Manual												
	Digital Noise Reduction	On / Off												
	VIDEO	Day & Night	Auto / Color / B&W											
Backlight Compensation		On / Off												
Wide Dynamic Range		On / Off / Auto												
Video Output		AHD(BNC Type) and CVBS(BNC Type)												
Resolution		60fps@1920 x 1080p ~ 30fps@1280 x 720p												
PTZ		Pan/Tilt Angle	PAN : 360° (Endless) / TILT : -2° ~ 182°											
		Pan Speed	Manual : 0.1°/sec ~ 360°/sec(Zoom Proportional)											
		Preset Speed	Max. 400°/sec											
		Preset Position	256 Preset Positions											
		PTZ	Tour	8 Groups(Max 30 Entries for each Group)										
			Scan	8 Scans										
			Pattern	8 Patterns(Approx. 2 Minutes for each Pattern)										
			Flip	Auto Flip(On/Off)										
			PTZ	Communication	RS485(2400, 4800, 9600bps(Default), 38400)									
	Camera ID			255										
	AHD Output			1920 x 1080p / 1280 x 720p Dual AHD Video outputs										
	OSD			On/Off										
	PTZ			CVBS Output	720 x 480									
				PTZ	Port	RS-485 for PTZ Control								
PTZ					Protocol	Pelco-D, Pelco-P								
					PTZ	Alarm Input	4 Alarm Inputs							
						PTZ	Alarm Output	1-Relay Out(N.O)						
							PTZ	Dimensions	233 (W) x 235 (H) mm					
		PTZ						Certifications	CE, FCC, RoHS, KC, IP67					
								PTZ	Weight	Approx. 5kg w/o Bracket				
									PTZ	Power Source	AC24V 2A (DC12V 3A)			
										PTZ	IP Rating	IP67(Waterproof)		
			PTZ								Fan	Built - in		
											PTZ	Heater	4°C(39.2°F) ~ 10°C(50°F) Operation, 30W	
												PTZ	Storage Temperature	-20°C ~ 50°C(-4°F ~ 122°F)
													PTZ	Operating Temperature

## HYBRID VIDEO OUTPUT



## DIMENSIONS



## OPTIONAL BRACKET



# 1080P AHD PTZ Camera [outdoor]



## FEATURES

- 30x Optical Zoom (12x Digital Zoom)
- 1/2.8 Type" Exmor" CMOS Image Sensor
- High Definition Resolution - 1920 x 1080p @ 60fps Output Image
- Defog Functions support
- Image Stabilizer support
- Two Way Audio Communication
- Day & Night (ICR)
- WDR(Wide Dynamic Range)
- Preset/Tour/Scan/Pattern function
- CVBS Video Output
- Turbo Speed (Max 360°/sec) & Smooth Manual Speed
- IP 67 (Waterproof)
- Vandal Proof (Full Body Aluminum & Polycarbonate Body)
- Operation Temperature : -50°C ~ 50°C(-58°F ~ 122°F)
- CE, FCC, RoHS, KC Compliance
- 1080P / 720P Dual AHD Video outputs

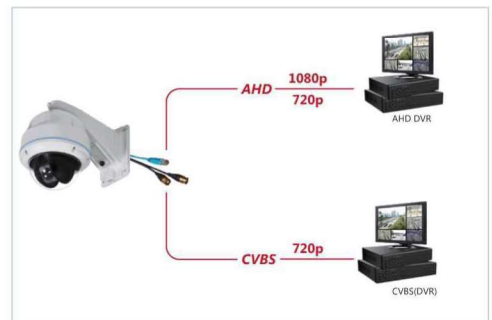
EPP-AHD2030

AHD 30X 2 Mega IP67 1080P

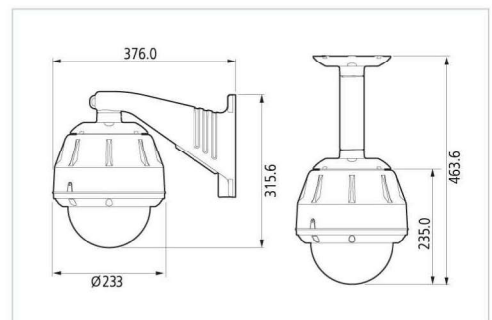
## SPECIFICATIONS

CAMERA	Image Sensor	1/2.8 Type "Exmor" CMOS Image Sensor	
	Picture Elements	2,140K Pixels	
	Lens	30x Optical Zoom (12x Digital Zoom)	
	Focal Length	F1.6 ~ F4.7, f=4.3mm ~ 129.0mm	
	Min. working distance	10mm(Wide) ~ 1200mm(Tele)	
	Angle of View	Horizontal: 63.7°(Wide end) ~ 2.3°(Tele end)	
	Minimum Illumination	0.008 lux (ICR ON 1/30 sec, 50% High Sensitivity Mode ON)	
	S/N Ratio	50 dB (Weight On)	
	AE Mode	Auto / Manual / Shutter Priority / Iris Priority	
	Gain Control	Auto / Manual (0dB~43.1dB (0 to 28 step), Max Gain Limit (9.2 to 43.1 Db(6 to 28step)	
	Electronic Shutter Speed	1/1 sec to 1/10000 (22 steps)	
	White Balance	Auto/ATW/Indoor/Outdoor/One push /Manual (256 steps), Outdoor Auto, Sodium Vapor Lamp (Fix/Auto/Outdoor Auto)	
	Noise Reduction	On / Off (level 5 to 1 off, 6 steps)	
	Day & Night	Auto / Color / B&W	
	VIDEO	Backlight Compensation	On / Off
Defog Mode		On / Off	
Color Enhancement		On / Off	
Wide Dynamic Range		On / Off	
Video Output		AHD(BNC Type) and CVBS(BNC Type)	
Resolution		60fps@1920 x 1080p ~ 30fps@1280 x 720p	
Pan/Tilt Angle		PAN : 360° (Endless) / TILT : -2° ~ 182°	
Pan Speed		Manual: 0.1° ~ 360°/sec(Zoom Proportional)	
Tilt Speed		0.1°/sec ~ 90°/sec	
Preset Speed		Max. 400 /sec	
Preset Position		256 Positions	
DOME		Tour	8 Groups(Max 30 Entries for each Group)
		Scan	8 Scans
		Pattern	8 Patterns(Approx. 2 Minutes for each Pattern)
		Flip	Auto Flip(On/Off)
	Communication	RS485(2400, 4800, 9600bps(Default), 38400)	
	Camera ID	255	
	AHD Output	1920 x 1080p / 1280 x 720p Dual AHD Video outputs	
	OSD	On/Off	
	CVBS Output	720 x 480	
	Remote control	Port	RS-485 for PTZ Control
	Alarm	Protocol	Bandi(STD), Pelco-D, Pelco-P
		Alarm Input	4 Alarm Inputs
	Physical	Alarm Output	1-Relay Out(N.O)
		Dimensions	233 (W) x 235 (H) mm
		Certifications	CE, FCC, RoHS, KC, IP67
Weight		Approx. 5kg w/o Bracket	
Color		Ivory	
Power Source		AC24V 2A (DC12V 3A)	
IP Rating		IP67(Waterproof)	
Fan		Built - in	
Heater		4°C(39.2°F) ~ 10°C(50°F)	
Operating Humidity		Up to 90% RH	
Storage Temperature	-20°C ~ 50°C(-4°F ~ 140°F)		
Operating Temperature	-50°C ~ 50°C(-58°F ~ 122°F)		

## HYBRID VIDEO OUTPUT



## DIMENSIONS



## OPTIONAL BRACKET

